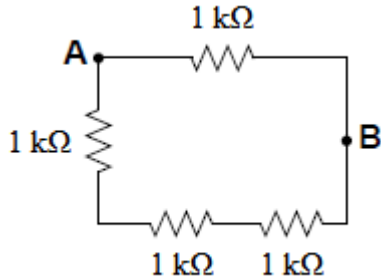


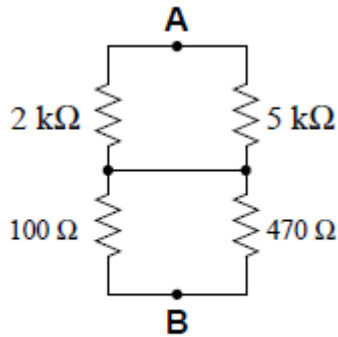
Name: _____ Block: _____

Resistor Networks

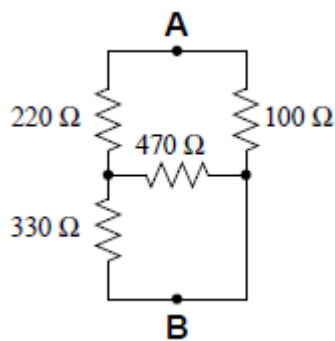
1. What is the equivalent resistance between points **A** and **B**?



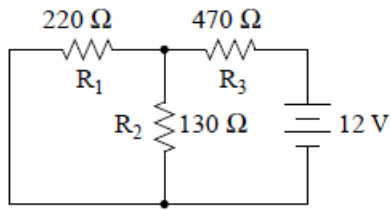
2. What is the equivalent resistance between points **A** and **B**?



3. What is the equivalent resistance between points **A** and **B**?

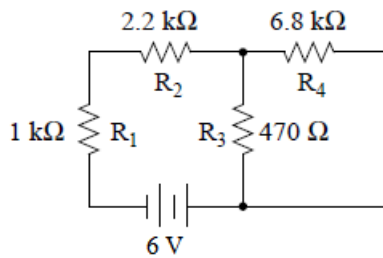


4. Fill in the table for the following circuit:



	R1	R2	R3	Total
Voltage (V)				12
Current (mA)				
Resistance (Ω)	220	130	470	
Power (mW)				

5. Fill in the table for the following circuit:



	R1	R2	R3	R4	Total
Voltage (V)					6
Current (mA)					
Resistance	$1\ \text{k}\Omega$	$2.2\ \text{k}\Omega$	$470\ \Omega$	$6.8\ \text{k}\Omega$	
Power (mW)					